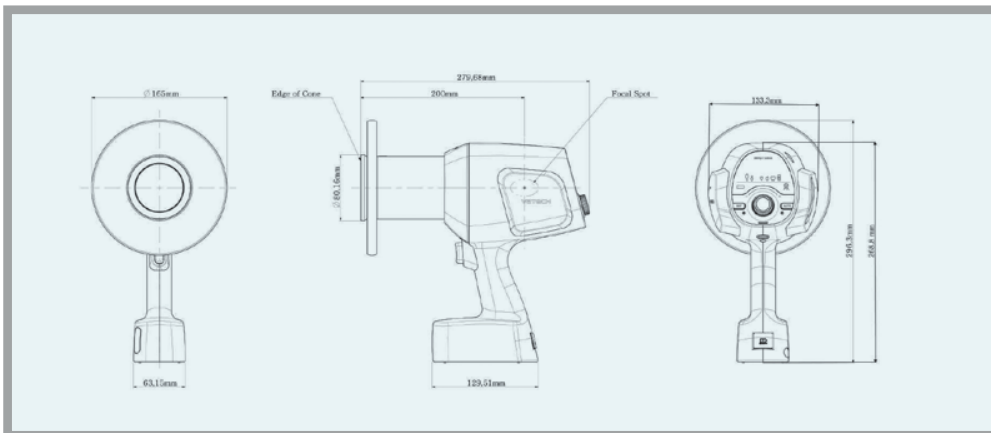


vatech

Dimensions [Unit: mm]



Specifications [EzRay Air: VEX-P300]

Focal Spot	0.4 mm (IEC 60336)
Tube Voltage (kV)	65 kV
Tube Current (mA)	2.5 mA
Exposure Time Range	0.05 ~ 0.5 sec
Total Filtration	Min. 1.5 mm Al
Source to Skin Distance	200 mm
X-ray Field	Default: 60 mm Round, 30 x 40 mm Rectangular / Optional: 20 x 30 mm Rectangular
Maximum duty cycle	1 : 30
Power Input	22.2 V
Weight	1.8 kg [3.9 lbs.]

* The specifications are subject to change without prior notice.

X-Right Engineering Ltd
 email sales@xright.co.uk
 Tel: 01327 831024

Your Authorised Vatech Dealer

vatech

13, Samsung 1-ro, 2-gil, Hwaseong-si, Gyeonggi-do, Korea, 18449
sales@vatechglobal.com <http://www.vatechglobal.com> 2017 / 01



Lightweight!

| Weight Innovation | Dual Safeguard | Artificial Intelligence |

EzRay Air™ Portable

EzRay Air, the lightest portable intraoral X-ray system from VATECH, satisfies all primary dental diagnostic needs by creating stable and clear images at all times. As a Dental Pioneer, we will continue to develop advanced products.

“Weight Innovation!”



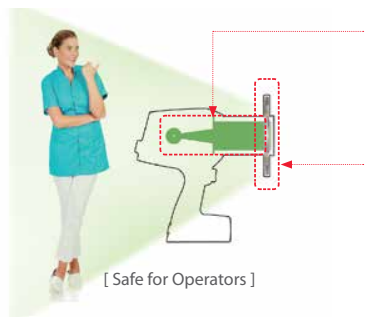
It all starts with Weight Innovation

A light portable intraoral X-ray creates a stable condition for positioning the device. The ease of device positioning produces clear images without any motion artifact.

Handling a lightweight device is very convenient as it reduces the time taken to process a full mouth series. It also produces faster workflow and less stress for your staff.



Double scatter shield in One



Internal Shielding
The internal radiation shielding is perfectly designed to protect the operator from radiation leakage .

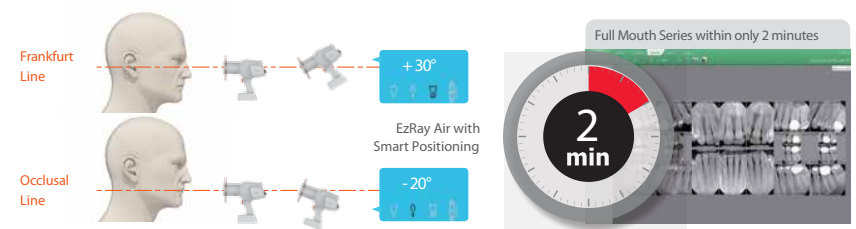
External Backscatter Shielding
Scatter radiation results from the beam interacting with the surface of the patient, causing radiation to bounce off as residuals scatter in different directions. The backscatter shield significantly reduces the operator's radiation dose.

“How Clear Image! ”



Save your time with Smart Positioning

The smart positioning makes preparation simple. There are default exposure settings for the angle of each tooth. Operators only need to set the guideline following an occlusal plane or a frankfurt line as the angle and the tooth are automatically detected. The exposure time is also automatically adjusted with the aid of smart positioning.



The fastest and easiest way to get a full mouth series

One dial for all functions

With EzRay Air, there is no need to remember and press numerous buttons for each setting.

The Smart Dial has all the settings in one dial, reducing the preparation time and creating a simpler and faster work flow. The Smart Positioning function also provides optional tooth mode settings and scan time settings.

